



VELSINE POWER SOLUTIONS



**SINCE
2000**

VIGIL ONLINE UPS 1 KVA - 120 KVA 1 & 3 PHASE

VIGIL Online UPS system is a Double Conversion, PWM Technology IGBT ups with smart charger circuit.

VIGIL Online UPS supplies uninterruptedly power during power cuts with clean power without surges, harmonics and noises.

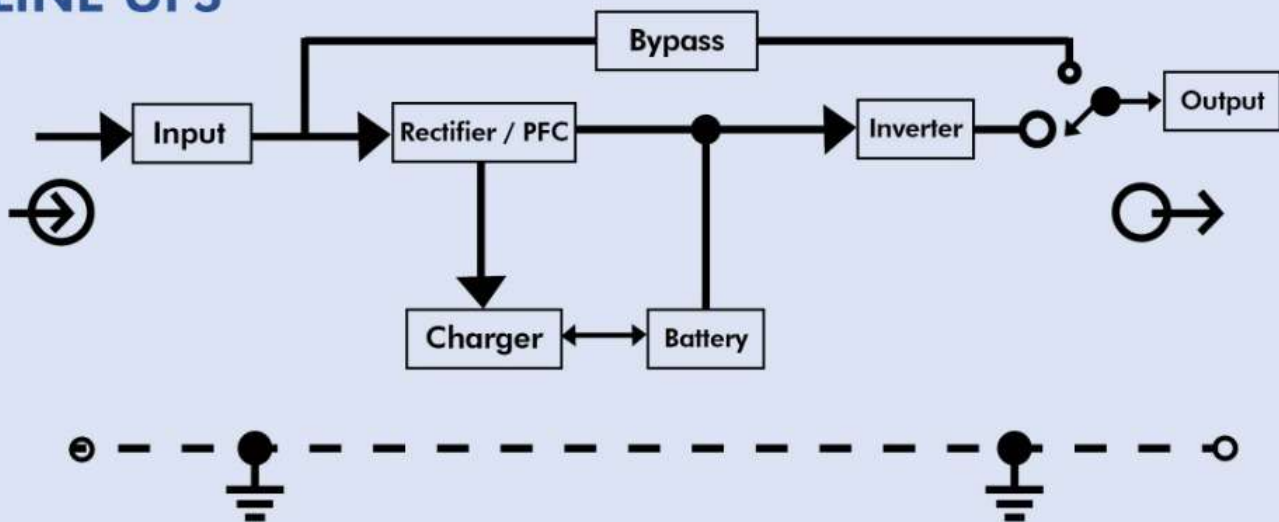
SALIENT FEATURES

- ◉ **LCD DISPLAY**
- ◉ **HIGH EFFICIENCY**
- ◉ **DOUBLE CONVERSION**
- ◉ **IGBT TECHNOLOGY**
- ◉ **BUILT IN GALVANIC ISOLATION TRANSFORMER**
- ◉ **PURE SINEWARE**

APPLICATIONS

- ◉ **BPO CENTER**
- ◉ **BANK**
- ◉ **HOSPITALS**
- ◉ **MEDICAL EQUIPMENTS**
- ◉ **TELECOM**
- ◉ **COMPUTER AND IT'S PERIPHERALS**

ONLINE UPS



TECHNICAL SPECIFICATIONS

Capacity (KVA)	1/2	3/5	5/7.5	7.5/10/15/20/30	40/60/90/120
DC Volts	48V	72V	120V	192/240V/360V	360V

		TECHNICAL SPECIFICATIONS		
		1/2	3/5	5/7.5
INPUT	Phase	Single	Three	Three
	Voltage Range Power Factor Frequency	230V ± 20%	415V ± 15% - 25% at 0.8 typical 50 HZ ± 3 HZ	415V ± 15% - 25%
OUTPUT	Phase	Single	Single/Three	Three
	Voltage / Regulation	230V ± 1%	230V ± 1%	400V ± 1%
	Full Load Current		Rated at 0.8 p.f.	
	Nominal Frequency		50Hz ± 0.5Hz	
	Power Factor		0.8 p.f.	
	Over Load		125% for 10 Minutes & 150% for 1 Minute	
	Static Voltage Regulation		6% for 50% step load change	
	Dynamic Voltage Regulation		1% of Nominal for all variations of Line Load 10% for 10% to 100% step load change	
	Waveform		Sinusoidal	
	Total Harmonic Distortion		For Linear loads 2.5%. For Non linear loads 5%	
PROTECTIONS	Charger	Input circuit breaker, Charger over voltage, Charger over current limit		Phase failure, Abnormal Phase sequence
	Battery	Battery low cut off / Current limit, HRC fuse in battery path, Battery over charger trip.		
	Inverter	Output over voltage / Over load trip Current limit, Short Circuit		
DISPLAY	Indications	Main ON, UPS ON, UPS Trip, UPS OV / UV, Battery Low trip,		
	Display	Alpha numerical display		
	Metering (Optinal)	Output Voltmeter, Output Ammeter		

⦿ All specifications are subject to change without notice.

📍 VELSINE POWER SOLUTIONS : 240, LIG Colony, K.K. Nagar, Madurai - 20.

☎ +91 98428 08285, +91 97869 08285 ✉ velsineupsmadurai@gmail.com